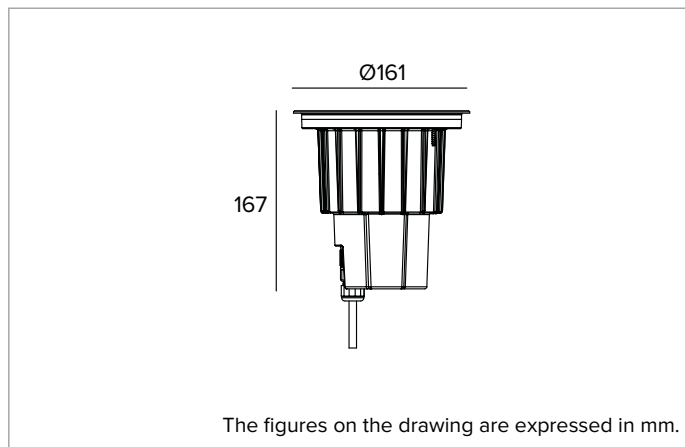


## E016MFR827ELCCB | KEPLERO 160 Fixed

Compact fixed recessed projector equipped with LED sources



		2700K	H(m)	D(m)	E <sub>max</sub> (lx)
		Ra80		18°	
		Fixture Power	14W	1	0.31
		Source Flux	1823lm	2	0.63
		Fixture Flux	1435lm	3	0.94
		Efficacy	105lm/W	4	1.25
TS1849	I <sub>max</sub> =4489cd/klm	I <sub>max</sub>	8184cd	5	1.57



### SOURCE

High efficiency Chip on Board LED Ra80. 3500K colour temperature available on request.

**Energy efficiency class:** E

**Nominal power:** 12W

**Nominal flux:** 1823lm

**Colour rendering index:** 80

**Rf:** 82

**Rg:** 96

**CCT nominal:** 2700K

**Lifetime (L80/B10):** >50000h tq +25°C

### ILLUMINOTECHNICAL CHARACTERISTICS

High efficiency reflector optical system with three beam openings.

**Optic:** REFLECTOR

**Beam angles:** SP

**Optical efficiency:** 79%

**Fixture flux:** 1435lm

**Luminous efficacy:** 105lm/W

**Photobiological safety:** Compliant with RG1 low risk group

### MECHANICAL CHARACTERISTICS

Die-cast aluminium body with 3 layers of protection: anodised, cataphoresis and black paint. Brushed stainless steel (AISI 316) ultra flat decorative ring with bevelled edge (copper bronze finish). Version with extra-clear protective glass. Anti theft stainless steel A4 Torx screws.

**Colour and finish:** Copper bronze

**Weight:** 1.15Kg

**Version:** STANDARD

**Degree of protection:** IP66,IP67,IP68,IP69

**Mechanical Resistance:** IK10

### ELECTRICAL CHARACTERISTICS

110-240Vac power supply with an ON-OFF integrated driver. Connection to the mains via IP68 watertight connectors for H07RN8-F cable (max 2x2.5mm<sup>2</sup>).

**Fixture Power:** 14W

**Power supply:** 110-240V 50/60Hz

**Insulation Class:** CLASS 2

**Type of driver / Control:** ON-OFF

**Driver included:** YES

**Class F:** YES

**SAFE FLICKER:** PstLM=<1 and SVM=<0.4 (IEC TR 61547-1 and IEC TR 63158), to ensure a more comfortable and safe light

**Ambient temperature:** -25°C / +35°C

### INSTALLATION

Nylon installation sleeve to be ordered separately as an accessory. The sleeve is pre-set for both flush or straight edge installation. 20kN resistance to static load.

### NOTES

All light fixtures must be completed with an installation sleeve. IP68: the fixture is not suitable for permanent underwater installation but can withstand temporary accidental immersion to a depth of 2 metres (max.24h). IP69: IEC/EN 60529 standard compliant. All versions of the KEPLERO family meet all the requirements of EN 60598-2-13 standard regarding drive-over and walk-over performances. Low temperatures on the glass make them suitable even for installation in "special areas", such as spaces for children. Uses the "Waterblock Smart" technical solution that involves resin coating the connection cables, limiting the risk of humidity reaching the driver or the fixture. 110-277Vac version available on request.

### WARNING

Luminaire designed for disposal/recycling at end-of-life. Replaceable (LED only) light source by a professional. Replaceable control gear by a professional.

*Due to the technological evolution of the electronic components, the data provided may be updated, and as such, confirmation must be requested during the order process.*

*Luminous flux and power supply have +/-10% tolerances with respect to the indicated value. tq +25°C (CIE 121).*

*We reserve the right to make technical changes.*

Targetti Sankey S.r.l.  
Via Pratese, 164  
50145 Firenze - Italy  
Tel: +39 055 37911  
targetti.com  
targetti@targetti.com

CCIAA Firenze  
Share Capital:  
€ 500.000,00  
VAT N. (IT):  
01537660480  
R.E.A: FI-275656

**TARGETTI**

**E016MFR827ELCCB | KEPLERO 160 Fixed**  
 Compact fixed recessed projector equipped with LED sources

**Related codes**

**Sleeve**



Ø mm	H mm	Code
166	200	<b>1E2521</b>

Installation sleeve.  
 Grey Nylon casing.  
 For flush and semi-flush installation.

**Accessories**

**Filter**



Ø mm	Code
70	<b>1T1708</b>

Flat striped glass blade light refractive filter.  
 This makes the beam take on an oval shape and when combined with spotlights, the light blade appears more prominent.  
 To be completed with a dedicated holder ring A079.

**Grid**



Ø mm	Code
70	<b>1T1711</b>

Anti-glare louver.  
 Black painted metal honeycomb structure.  
 To be completed with a dedicated holder ring A079.

**Screen**



Colour	Code
●	<b>A079</b>

Black polycarbonate accessory holder ring.

**Tool**



Code
<b>1E0388</b>

Sucker tool to raise the glass.



Code
<b>1E2495</b>

Features TORX HEAD, TX 30.

Due to the technological evolution of the electronic components, the data provided may be updated, and as such, confirmation must be requested during the order process.  
 Luminous flux and power supply have +/-10% tolerances with respect to the indicated value. tq +25°C (CIE 121).

We reserve the right to make technical changes.

Targetti Sankey S.r.l.  
 Via Pratese, 164  
 50145 Firenze - Italy  
 Tel: +39 055 37911  
 targetti.com  
 targetti@targetti.com

CCIAA Firenze  
 Share Capital:  
 € 500.000,00  
 VAT N. (IT):  
 01537660480  
 R.E.A: FI-275656



## E016MFR827ELCCB | KEPLERO 160 Fixed

Compact fixed recessed projector equipped with LED sources

### Tool



Code

**1E2524**

Metal handle for fixture removal

### Connector



Code

**1E2769**

Linear connection box IP66/IP68.  
5 poles max. wire section 1.5mm<sup>2</sup>.  
Cable diameter range from 7 to 12mm.



Code

**1E2494**

Multiple connection box IP68.  
1 IN - 3 OUT 4 poles max. wire section 2.5mm<sup>2</sup>.  
Cable diameter range from 6 to 12mm.

### Surge protector



Code

**A013B**

Surge protector compatible with CLASS II lighting fixtures and electronic drivers.  
Operating voltage 220-240Vac.  
SPD type 2+3.  
Max surge protection 10kV.  
CLASS II  
IP67

Due to the technological evolution of the electronic components, the data provided may be updated, and as such, confirmation must be requested during the order process.

Luminous flux and power supply have +/-10% tolerances with respect to the indicated value. tq +25°C (CIE 121).

We reserve the right to make technical changes.

Targetti Sankey S.r.l.  
Via Pratese, 164  
50145 Firenze - Italy  
Tel: +39 055 37911  
targetti.com  
targetti@targetti.com

CCIAA Firenze  
Share Capital:  
€ 500.000,00  
VAT N. (IT):  
01537660480  
R.E.A: FI-275656

# TARGETTI